



# Ovitrol

Contains PRECOR®  
Insect Growth Regulator  
*Plus* Pyrethrins, an adulticide

# Plus®

## FLEA, TICK & BOT SPRAY

**Kills and repels** fleas, ticks, lice,  
flies, mosquitoes and gnats

**Kills** flea eggs

**2**  
Month  
Protection

### ACTIVE INGREDIENTS:

(S)-Methoprene (CAS #65733-16-6) .....	0.27%
Pyrethrins (CAS #8003-34-7) .....	0.20%
Piperonyl Butoxide (CAS #51-03-6) .....	0.37%
N-octyl Bicycloheptene Dicarboximide (CAS #113-48-4) ..	0.62%

<b>OTHER INGREDIENTS:</b> .....	98.54%
<b>TOTAL</b> .....	<u>100.00%</u>

**Ovitrol Plus**  
may be  
reapplied  
weekly

**KEEP OUT OF REACH OF CHILDREN**

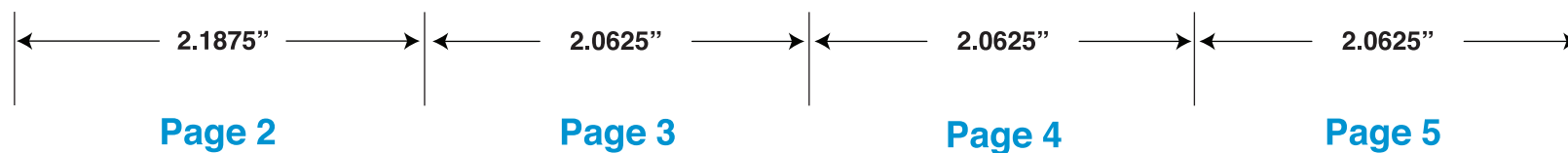
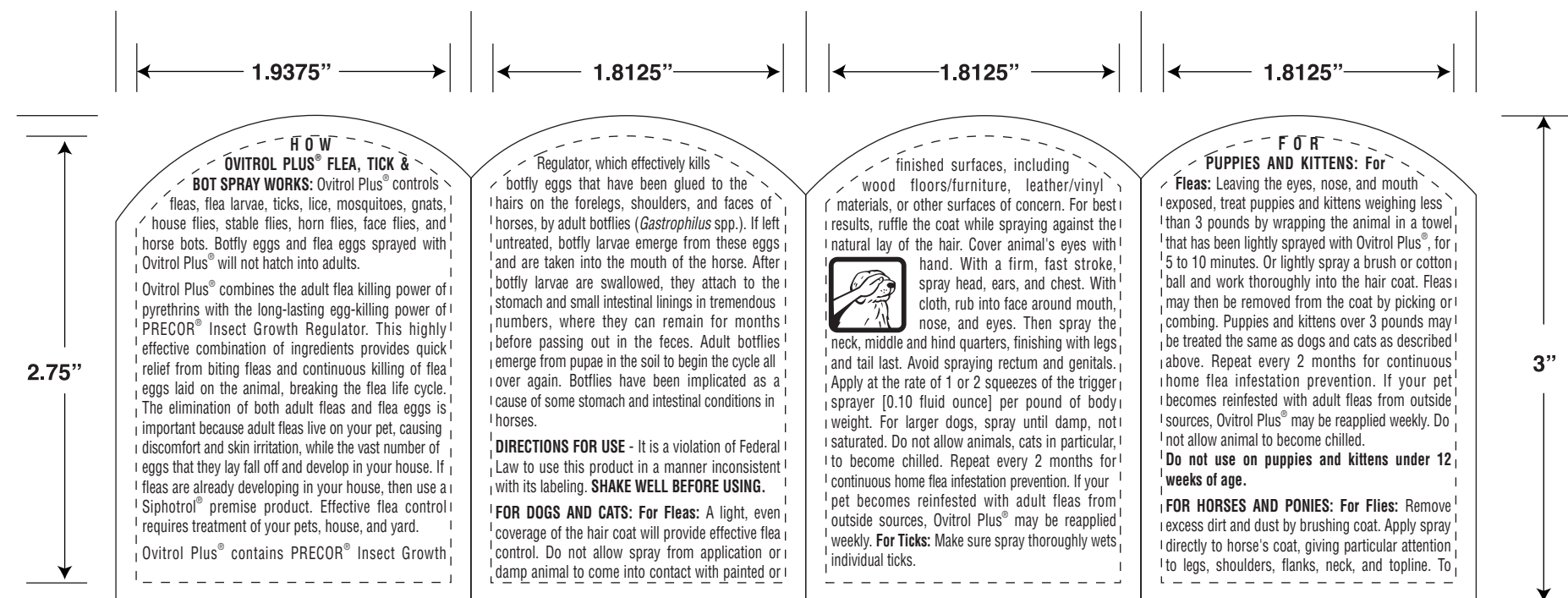
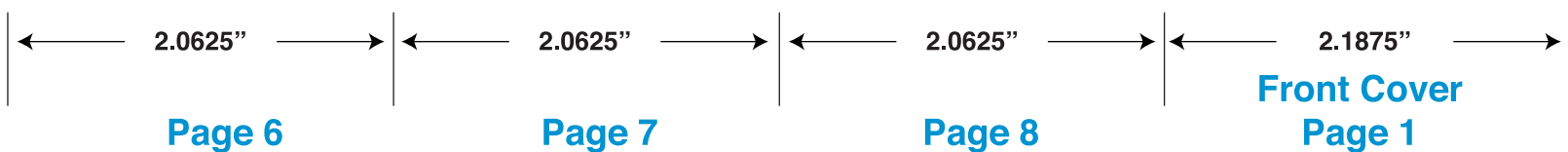
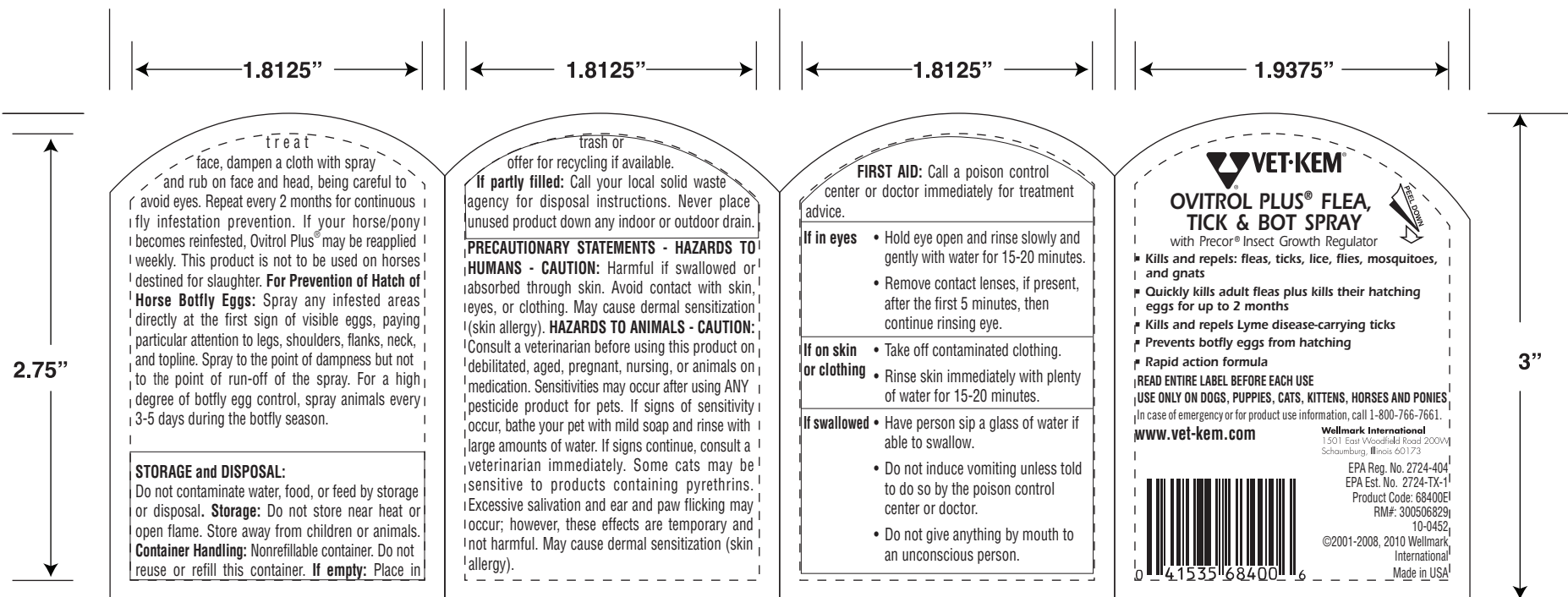
## CAUTION

See Back Panel for Additional  
Precautionary Statements

68403H

**NET CONTENTS:**  
1 PT (16 fl oz)

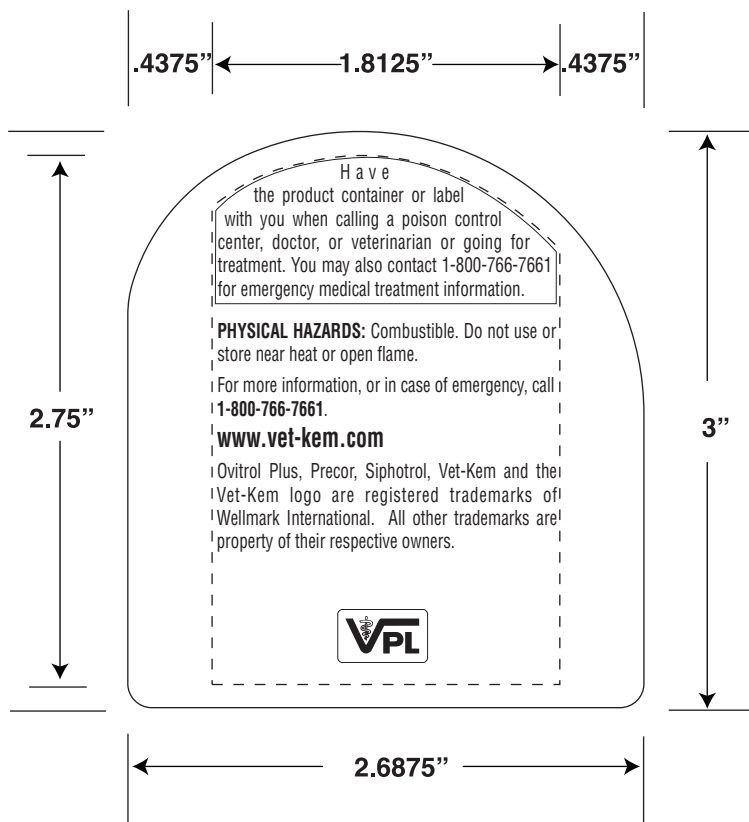
# Wellmark - 2.6875 (W) x 3 (H) Top Arch 8 pg. ECL Book Out



☐ = Copy Image Area

CCL LABEL MEMPHIS

CCL0882 / 09-21-06 TP



Base Label