

Lackfrei
Wellenperf. 3:3

17.5

Schn

Schn

Schn

Rill=13.00/Schn=13.00

4 Haltestege 0.9mm
(nicht ausbrechen)

12 x Haltestege 1mm

3 PIPETTES

PETARMOR[®]
PLUS
FOR DOGS

PETARMOR[®] Plus For Dogs acts fast and is an effective, lasting, waterproof, and easy-to-use application for control of fleas, flea eggs, ticks, and chewing lice ONLY on dogs and puppies weighing up to 22 lbs. and 8 weeks or older.

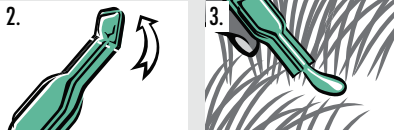
Directions for Use

It is a violation of Federal Law to use this product in a manner inconsistent with its labeling. Do not allow children to apply this product. **READ ENTIRE LABEL AND ENCLOSED DIRECTIONS BEFORE EACH USE. CAREFULLY FOLLOW ALL PRECAUTIONARY STATEMENTS AND APPLICABLE USE DIRECTIONS. FOR USE ON DOGS ONLY. DO NOT USE ON RABBITS OR OTHER ANIMALS.**

For topical application only. Apply PETARMOR[®] Plus For Dogs ONLY to dogs and puppies aged 8 weeks or older, including on breeding, pregnant, and lactating bitches, as indicated below for control of fleas, flea eggs, ticks (including all stages of American Dog ticks, Brown Dog ticks, Deer ticks and Lone Star ticks), and chewing lice:

How to Apply

1. Open the child resistant package according to the directions on the back of the sealed inner package for each pipette.



2. Snap the tip of the pipette away from you as shown.

3. Part the dog's hair and place the tip of the pipette behind the neck and between the shoulders. Ensure that the entire application of PETARMOR[®] Plus For Dogs is contained in a single spot on the dog's skin. Be sure to squeeze the pipette thoroughly so that the entire contents are applied.

Available Exclusively from FidoPharm, Inc.
777 Township Line Road, Suite 170
Yardley, PA 19067-5508 USA

Questions? Comments? ©2012 FidoPharm, Inc.
1-888-908-TICK All rights reserved.

EPA Reg. No. 85495-2
EPA Est. No. 074720-DEU-001
Patent Pending

Made in Germany

118

Schn

Schn

Schn

Schn

Rill=13.00/Schn=13.00

Lackfrei
Wellenperf. 3:3

Feld Pharmacode
mittig 40mm

Lackfrei
Wellenperf. 3:3 17.5

PETARMOR[®] PLUS
FOR DOGS

3 PIPETTES

3 PIPETTES

PETARMOR[®]
PLUS
FOR DOGS

KILLS FLEAS, FLEA EGGS, TICKS, & CHEWING LICE

- Fast action • Kills ticks, including ticks that may transmit Lyme Disease
- Waterproof • Lasting Control



S only use on
Dogs & Puppies
up to 22 lbs.
8 weeks or older

**COMPARE TO
FRONTLINE[®]
PLUS**
same active
ingredients*

ACTIVE INGREDIENTS

Fipronil	9.8%
(S)-methoprene	8.8%
OTHER INGREDIENTS.....	81.4%
TOTAL	100.0%

Contains 3-0.023 fl. oz. (0.67 mL) pipettes

KEEP OUT OF
REACH OF CHILDREN
CAUTION

*This product is **NOT**
manufactured or distributed
by Merial, the makers of
Frontline[®] Plus

Lot No:

Druck und
Lackfrei
30

XXX-XXXX 3 PIPETTES

FOR DOG USE ONLY

3 PIPETTES
PETARMOR[®]
PLUS
FOR DOGS

3 PIPETTES
PETARMOR[®]
PLUS
FOR DOGS

S only use on
Dogs & Puppies
up to 22 lbs.
8 weeks or older

S only use on
Dogs & Puppies
up to 22 lbs.
8 weeks or older

Kontur 150x150



Only for use on dogs and puppies 8 weeks or older

PETARMOR® Plus For Dogs is a topical application for fast action and lasting control of fleas, flea eggs, ticks, and chewing lice.

Active Ingredients

Fipronil.....	9.8%
(S)-methoprene	8.8%
OTHER INGREDIENTS.....	81.4%
TOTAL	100.0%

Compare to Frontline® Plus same active ingredients*

KEEP OUT OF REACH OF CHILDREN

CAUTION

PETARMOR® Plus For Dogs acts fast and is an effective, lasting, waterproof, and easy-to-use application for control of fleas, flea eggs, ticks, and chewing lice on dogs and puppies. When used as directed, PETARMOR® Plus For Dogs can stop infestations of fleas, ticks, and chewing lice and help to prevent reinfestation on dogs and puppies, including on breeding, pregnant and lactating bitches. PETARMOR® Plus For Dogs aids in the control of sarcoptic mange infestations. Apply monthly to eliminate sarcoptic mange mites.

Specifically, PETARMOR® Plus For Dogs kills, controls and prevents infestations of:

1. Adult fleas, flea eggs, and flea larvae, including fleas which could cause flea allergy dermatitis, and can prevent the further development of fleas at the egg, larvae and pupae stages;
2. Brown Dog tick, the American Dog tick, the Lone Star tick, and the Deer tick (including ticks that may transmit Lyme Disease), at all stages;
3. Chewing lice infestations.

PETARMOR® Plus For Dogs contains the active ingredient fipronil and the insect growth regulator (IGR) (S)-methoprene.

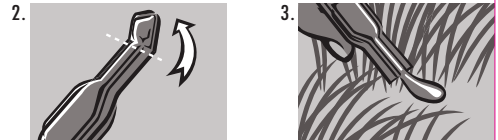
Directions for Use

It is a violation of Federal Law to use this product in a manner inconsistent with its labeling. Do not allow children to apply this product. **READ ENTIRE LABEL AND ENCLOSED DIRECTIONS BEFORE EACH USE. CAREFULLY FOLLOW ALL PRECAUTIONARY STATEMENTS AND APPLICABLE USE DIRECTIONS. FOR USE ON DOGS ONLY. DO NOT USE ON RABBITS OR OTHER ANIMALS.**

For topical application only. Apply PETARMOR® Plus For Dogs ONLY to dogs and puppies aged 8 weeks or older, including on breeding, pregnant, and lactating bitches, as indicated below for control of fleas, flea eggs, ticks, and chewing lice:

How to Apply

1. Open the child resistant package according to the directions on the back of the sealed inner package for each pipette.



2. Snap the tip of the pipette away from you as shown.
3. Part the dog's hair and place the tip of the pipette behind the neck and between the shoulders. Ensure that the entire application of PETARMOR® Plus For Dogs is contained in a single spot on the dog's skin. Be sure to squeeze the pipette thoroughly so that the entire contents are applied.

Do not apply the product superficially to the dog's hair. Use only one pipette during each application.

Do not touch the area where the application was made until it is dry.

PETARMOR® Plus For Dogs also aids in the control of sarcoptic mange infestations. Apply monthly to eliminate sarcoptic mange mites.

Frequency of Application

Fleas: According to research studies, adult fleas, flea eggs and flea larvae are killed for up to three months following an application of fipronil plus (S)-methoprene. If, however, your dog or puppy is susceptible to flea allergy dermatitis, or if you believe there is a risk of reinfestation, apply once every month.

Kontur 150x150

Ticks: Each application kills ticks for one month or longer. For best control of ticks, apply once every month.

Chewing Lice: Each application kills chewing lice for one month or longer. For best control of chewing lice, apply once every month.

Do not reapply PETARMOR® Plus For Dogs for thirty (30) days.

Please note that there is no need to reapply following your dog's exposure to bathing or water immersion, as PETARMOR® Plus For Dogs remains effective in those conditions.

Storage and Disposal

Do not contaminate water, food, or feed by storage or disposal.

Storage. Store unused application pipettes in the original child-resistant container and outer box only, out of reach of children and animals.

Pesticide Disposal. If partly filled: Call your local solid waste agency or 1-800-CLEANUP for disposal instructions. Never place unused product down any indoor or outdoor drain.

Container Disposal. Nonrefillable container. **If empty:** Do not reuse this container. Place in trash or offer for recycling if available.

First Aid

Have the product container or label with you when calling a poison control center or doctor, or if going for treatment.

If Swallowed: Immediately call a poison control center or doctor for treatment advice. Have the person sip a glass of water if able to swallow. Do not induce vomiting unless told to do so by the poison control center or doctor. Do not give anything by mouth to an unconscious person.

If in Eyes: Hold eye open and rinse slowly and gently with water for 15–20 minutes. Remove contact lenses, if present, after the first 5 minutes, then continue rinsing. Call a poison control center or doctor for treatment advice.

If on Skin: Rinse skin with plenty of soap and water. Get medical attention if irritation persists.

Precautionary Statements

Hazards to Humans. Caution.

Harmful if swallowed. Causes eye irritation. Avoid contact with skin, eyes, or clothing. Wash hands thoroughly with soap and water after handling and before eating, drinking, chewing gum, or using tobacco.

Hazards to Domestic Animals.

For external use only. Do not use on puppies under 8 weeks of age. Sensitivities may occur after using ANY pesticide product for pets. While temporary irritation at the application area may occur, if signs of continued sensitivity occur, consult a veterinarian immediately. Should any unusual reactions to the application occur, do not reapply before consulting with a veterinarian. Certain medications can interact with pesticides. Consult with your veterinarian before using this product on medicated, debilitated, or aged dogs. Call 1-888-908-TICK for 24-hour assistance.

Physical or Chemical Hazards

Flammable: Keep away from heat and open flame.

Application Options for Different Sizes of Dogs

PETARMOR® Plus For Dogs comes in four different packages for different-sized dogs and puppies eight (8) weeks or older:

- Up to 22 lbs.
- 23 to 44 lbs.
- 45 to 88 lbs.
- 89 to 132 lbs.

Warranty

To the extent consistent with applicable law, sellers make no warranty, express or implied, concerning the use of this product other than as indicated on the labeling. Buyer assumes all risk of use and handling of the product when such use and handling are contrary to the label instructions.

*This product is not manufactured or distributed by Merial, the makers of Frontline® Plus.

Available Exclusively from FidoPharm, Inc.
777 Township Line Road, Suite 170
Yardley, PA 19067-5508 USA

EPA Reg. No. 85495-2
EPA Est. No. 074720-DEU-001

Patent Pending

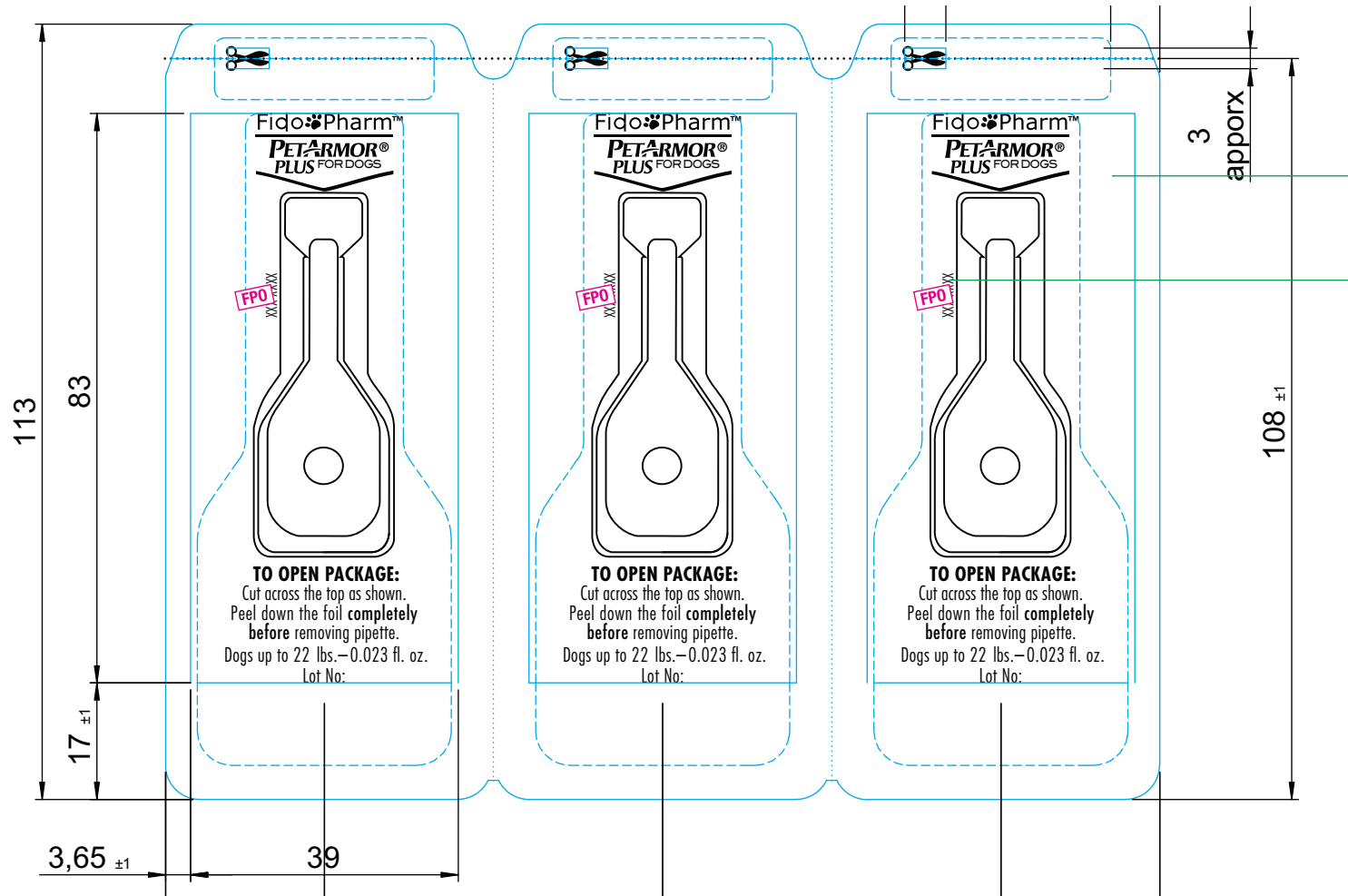
©2012 FidoPharm, Inc.
All rights reserved.

Questions? Comments?
1-888-908-TICK

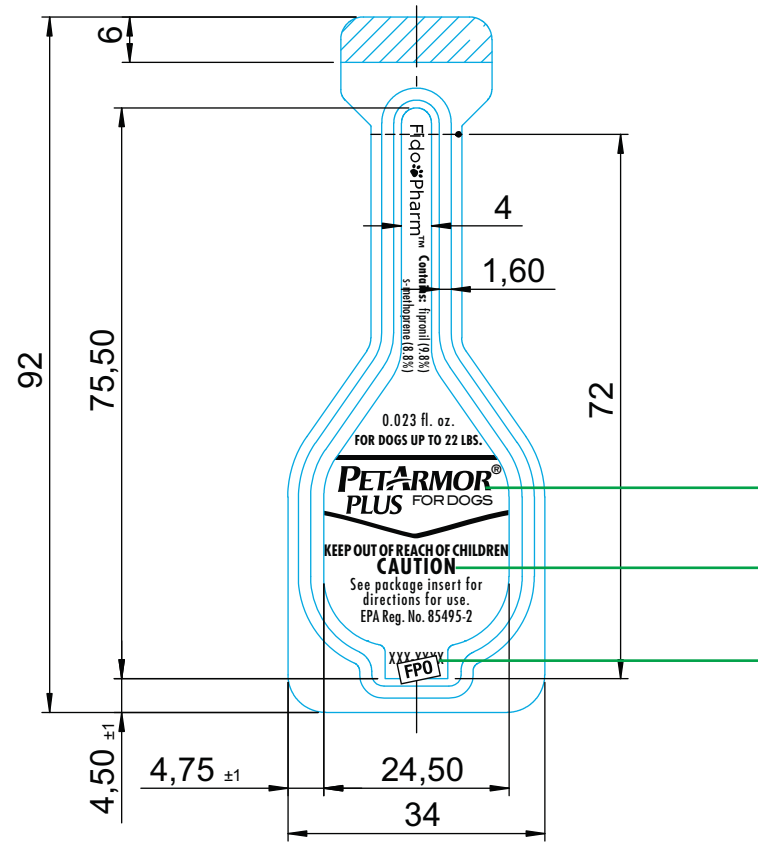
Made in Germany



Child-resistant package



Pipette



Care Card

PETARMOR™ Plus FOR DOGS
CARECARD
KILLS FLEAS, TICKS, & CHEWING LICE

Place sticker on your calendar
or refrigerator to remind yourself
to apply PETARMOR™ Plus
For Dogs to your dog.



PET'S NAME:

Month 1
Date of Application:

Month 2
Date of Application:

Month 3
Date of Application:

NM

Remove the adhesive backing and attach to your refrigerator door.

PETARMOR[®] PLUS FOR DOGS

3 PIPETTES

Rill=13.00/Schn=13.00

4 Haltestege 0.9mm
(nicht ausbrechen)

12 x Haltestege 1mm

PETARMOR[®] Plus For Dogs acts fast and is an effective, lasting, waterproof, and easy-to-use application for control of fleas, flea eggs, ticks, and chewing lice **ONLY** on dogs weighing 23–44 lbs. and 8 weeks or older.

Directions for Use

It is a violation of Federal Law to use this product in a manner inconsistent with its labeling. Do not allow children to apply this product. **READ ENTIRE LABEL AND ENCLOSED DIRECTIONS BEFORE EACH USE. CAREFULLY FOLLOW ALL PRECAUTIONARY STATEMENTS AND APPLICABLE USE DIRECTIONS. FOR USE ON DOGS ONLY. DO NOT USE ON RABBITS OR OTHER ANIMALS.**

For topical application only. Apply PETARMOR[®] Plus For Dogs **ONLY** to dogs and puppies aged 8 weeks or older, including on breeding, pregnant, and lactating bitches, as indicated below for control of fleas, flea eggs, ticks (including all stages of American Dog ticks, Brown Dog ticks, Deer ticks and Lone Star ticks), and chewing lice:

How to Apply

1. Open the child resistant package according to the directions on the back of the sealed inner package for each pipette.



2. Snap the tip of the pipette away from you as shown.
3. Part the dog's hair and place the tip of the pipette behind the neck and between the shoulders. Ensure that the entire application of PETARMOR[®] Plus For Dogs is contained in a single spot on the dog's skin. Be sure to squeeze the pipette thoroughly so that the entire contents are applied.

Available Exclusively from FidoPharm, Inc.
777 Township Line Road, Suite 170
Yardley, PA 19067-5508 USA

Questions? Comments? ©2012 FidoPharm, Inc. All rights reserved.
1-888-908-TICK

EPA Reg. No. 85495-2
EPA Est. No. 074720-DEU-001
Patent Pending

Made in Germany

118

Rill=13.00/Schn=13.00

Lackfrei
Wellenperf. 3:3

Feld Pharmacode
mittig 40mm

Lackfrei
Wellenperf. 3:3

PETARMOR[®] PLUS FOR DOGS

3 PIPETTES

3 PIPETTES

PETARMOR[®] PLUS FOR DOGS

KILLS FLEAS, FLEA EGGS, TICKS, & CHEWING LICE

- Fast action • Kills ticks, including ticks that may transmit Lyme Disease
- Waterproof • Lasting Control



M only use on dogs
23-44 lbs.
8 weeks or older

COMPARE TO FRONTLINE[®] PLUS
same active ingredients*

ACTIVE INGREDIENTS

Fipronil9.8%
(S)-methoprene8.8%
OTHER INGREDIENTS ...81.4%
TOTAL100.0%

KEEP OUT OF REACH OF CHILDREN CAUTION

*This product is **NOT** manufactured or distributed by Merial, the makers of Frontline[®] Plus

Contains 3-0.045 fl. oz. (1.34 mL) pipettes

M only use on dogs
23-44 lbs.
8 weeks or older

M only use on dogs
23-44 lbs.
8 weeks or older

Rill=13.00/Schn=13.00

Lot No:

Druck und
Lackfrei
30

XXX-XXXX 3 PIPETTES

FOR DOG USE ONLY

Kontur 150x150



Only for use on dogs and puppies 8 weeks or older

PETARMOR® Plus For Dogs is a topical application for fast action and lasting control of fleas, flea eggs, ticks, and chewing lice.

Active Ingredients

Fipronil.....	9.8%
(S)-methoprene	8.8%
OTHER INGREDIENTS.....	81.4%
TOTAL	100.0%

Compare to Frontline® Plus same active ingredients*

KEEP OUT OF REACH OF CHILDREN

CAUTION

PETARMOR® Plus For Dogs acts fast and is an effective, lasting, waterproof, and easy-to-use application for control of fleas, flea eggs, ticks, and chewing lice on dogs and puppies. When used as directed, PETARMOR® Plus For Dogs can stop infestations of fleas, ticks, and chewing lice and help to prevent reinfestation on dogs and puppies, including on breeding, pregnant and lactating bitches. PETARMOR® Plus For Dogs aids in the control of sarcoptic mange infestations. Apply monthly to eliminate sarcoptic mange mites.

Specifically, PETARMOR® Plus For Dogs kills, controls and prevents infestations of:

1. Adult fleas, flea eggs, and flea larvae, including fleas which could cause flea allergy dermatitis, and can prevent the further development of fleas at the egg, larvae and pupae stages;
2. Brown Dog tick, the American Dog tick, the Lone Star tick, and the Deer tick (including ticks that may transmit Lyme Disease), at all stages;
3. Chewing lice infestations.

PETARMOR® Plus For Dogs contains the active ingredient fipronil and the insect growth regulator (IGR) (S)-methoprene.

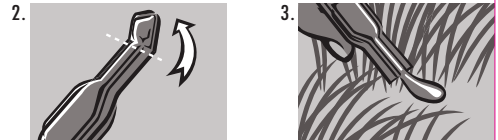
Directions for Use

It is a violation of Federal Law to use this product in a manner inconsistent with its labeling. Do not allow children to apply this product. **READ ENTIRE LABEL AND ENCLOSED DIRECTIONS BEFORE EACH USE. CAREFULLY FOLLOW ALL PRECAUTIONARY STATEMENTS AND APPLICABLE USE DIRECTIONS. FOR USE ON DOGS ONLY. DO NOT USE ON RABBITS OR OTHER ANIMALS.**

For topical application only. Apply PETARMOR® Plus For Dogs ONLY to dogs and puppies aged 8 weeks or older, including on breeding, pregnant, and lactating bitches, as indicated below for control of fleas, flea eggs, ticks, and chewing lice:

How to Apply

1. Open the child resistant package according to the directions on the back of the sealed inner package for each pipette.



2. Snap the tip of the pipette away from you as shown.
3. Part the dog's hair and place the tip of the pipette behind the neck and between the shoulders. Ensure that the entire application of PETARMOR® Plus For Dogs is contained in a single spot on the dog's skin. Be sure to squeeze the pipette thoroughly so that the entire contents are applied.

Do not apply the product superficially to the dog's hair. Use only one pipette during each application.

Do not touch the area where the application was made until it is dry.

PETARMOR® Plus For Dogs also aids in the control of sarcoptic mange infestations. Apply monthly to eliminate sarcoptic mange mites.

Frequency of Application

Fleas: According to research studies, adult fleas, flea eggs and flea larvae are killed for up to three months following an application of fipronil plus (S)-methoprene. If, however, your dog or puppy is susceptible to flea allergy dermatitis, or if you believe there is a risk of reinfestation, apply once every month.

Kontur 150x150

Ticks: Each application kills ticks for one month or longer. For best control of ticks, apply once every month.

Chewing Lice: Each application kills chewing lice for one month or longer. For best control of chewing lice, apply once every month.

Do not reapply PETARMOR® Plus For Dogs for thirty (30) days.

Please note that there is no need to reapply following your dog's exposure to bathing or water immersion, as PETARMOR® Plus For Dogs remains effective in those conditions.

Storage and Disposal

Do not contaminate water, food, or feed by storage or disposal.

Storage. Store unused application pipettes in the original child-resistant container and outer box only, out of reach of children and animals.

Pesticide Disposal. If partly filled: Call your local solid waste agency or 1-800-CLEANUP for disposal instructions. Never place unused product down any indoor or outdoor drain.

Container Disposal. Nonrefillable container. **If empty:** Do not reuse this container. Place in trash or offer for recycling if available.

First Aid

Have the product container or label with you when calling a poison control center or doctor, or if going for treatment.

If Swallowed: Immediately call a poison control center or doctor for treatment advice. Have the person sip a glass of water if able to swallow. Do not induce vomiting unless told to do so by the poison control center or doctor. Do not give anything by mouth to an unconscious person.

If in Eyes: Hold eye open and rinse slowly and gently with water for 15–20 minutes. Remove contact lenses, if present, after the first 5 minutes, then continue rinsing. Call a poison control center or doctor for treatment advice.

If on Skin: Rinse skin with plenty of soap and water. Get medical attention if irritation persists.

Precautionary Statements

Hazards to Humans. Caution.

Harmful if swallowed. Causes eye irritation. Avoid contact with skin, eyes, or clothing. Wash hands thoroughly with soap and water after handling and before eating, drinking, chewing gum, or using tobacco.

Hazards to Domestic Animals.

For external use only. Do not use on puppies under 8 weeks of age. Sensitivities may occur after using ANY pesticide product for pets. While temporary irritation at the application area may occur, if signs of continued sensitivity occur, consult a veterinarian immediately. Should any unusual reactions to the application occur, do not reapply before consulting with a veterinarian. Certain medications can interact with pesticides. Consult with your veterinarian before using this product on medicated, debilitated, or aged dogs. Call 1-888-908-TICK for 24-hour assistance.

Physical or Chemical Hazards

Flammable: Keep away from heat and open flame.

Application Options for Different Sizes of Dogs

PETARMOR® Plus For Dogs comes in four different packages for different-sized dogs and puppies eight (8) weeks or older:

- Up to 22 lbs.
- 23 to 44 lbs.
- 45 to 88 lbs.
- 89 to 132 lbs.

Warranty

To the extent consistent with applicable law, sellers make no warranty, express or implied, concerning the use of this product other than as indicated on the labeling. Buyer assumes all risk of use and handling of the product when such use and handling are contrary to the label instructions.

*This product is not manufactured or distributed by Merial, the makers of Frontline® Plus.

Available Exclusively from FidoPharm, Inc.
777 Township Line Road, Suite 170
Yardley, PA 19067-5508 USA

EPA Reg. No. 85495-2
EPA Est. No. 074720-DEU-001

Patent Pending

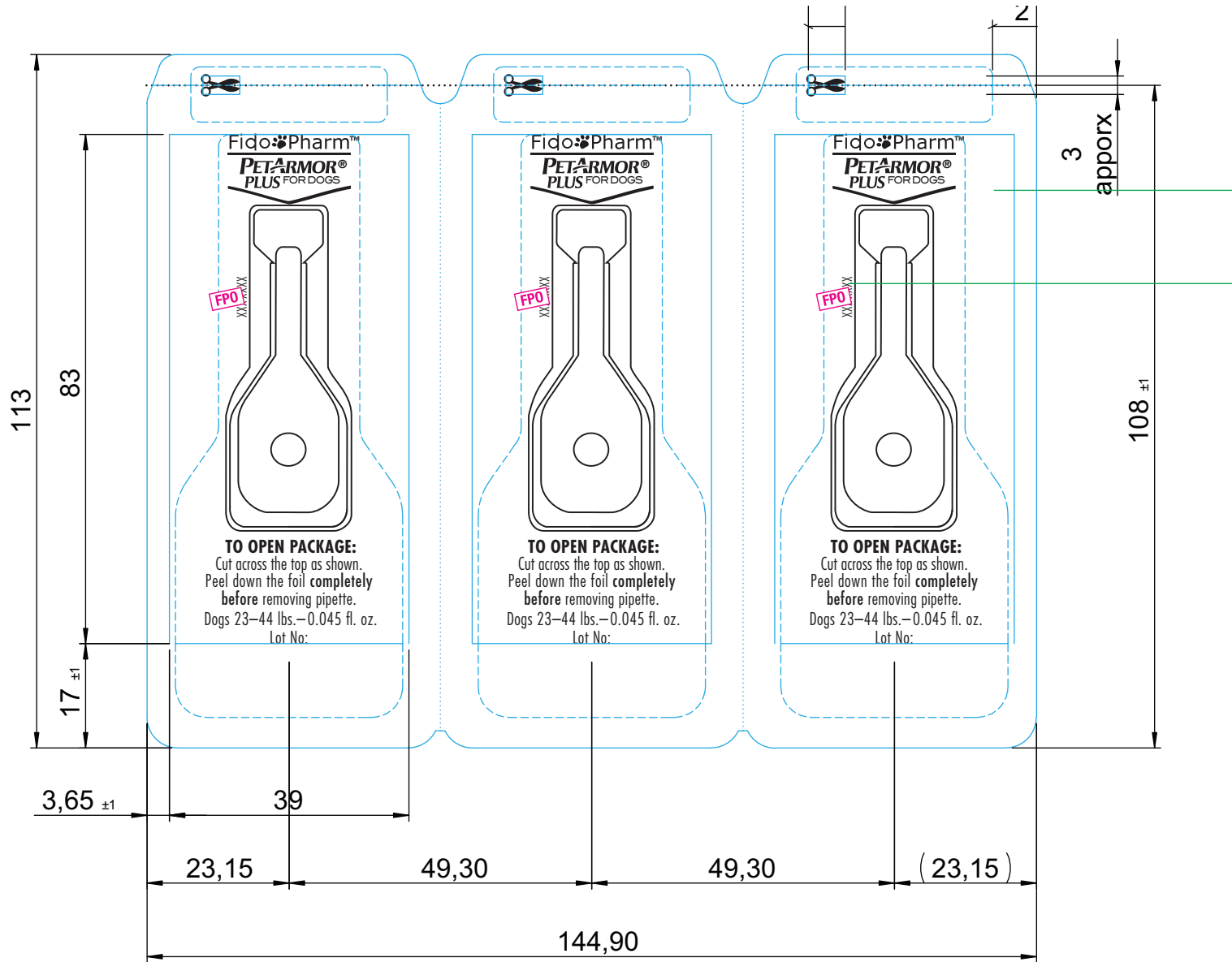
©2012 FidoPharm, Inc.
All rights reserved.

Questions? Comments?
1-888-908-TICK

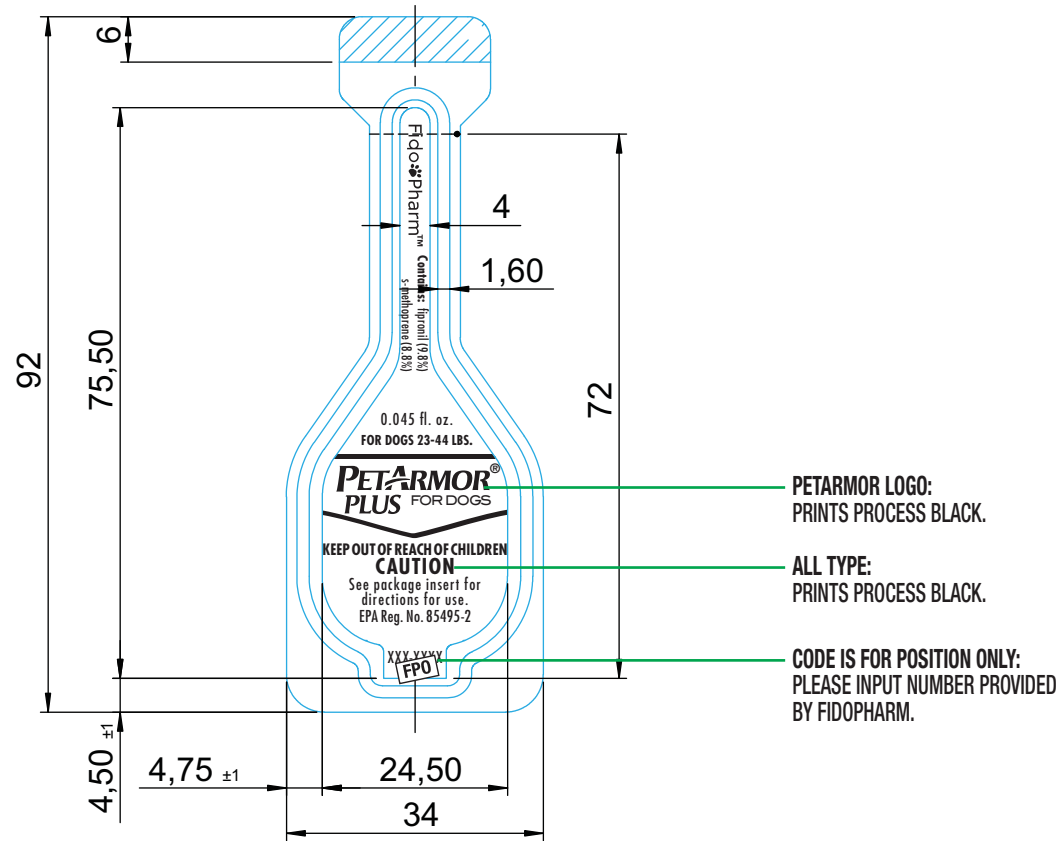
Made in Germany



Child resistant package



Pipette



Care Card

PETARMOR™ Plus FOR DOGS
CARECARD
KILLS FLEAS, TICKS, & CHEWING LICE

Place sticker on your calendar or refrigerator to remind yourself to apply PETARMOR™ Plus For Dogs to your dog.



PET'S NAME:

Month 1
Date of Application:

Month 2
Date of Application:

Month 3
Date of Application:

NM

Remove the adhesive backing and attach to your refrigerator door.

Lackfrei
Wellenperf. 3:3

17,5

Schn

Schn

Schn

Rill=13.00/Schn=13.00

4 Haltestege 0.9mm
(nicht ausbrechen)

12 x Haltestege 1mm

3 PIPETTES

PETARMOR[®]
PLUS FOR DOGS

PETARMOR[®] Plus For Dogs acts fast and is an effective, lasting, waterproof, and easy-to-use application for control of fleas, flea eggs, ticks, and chewing lice **ONLY** on dogs weighing 45–88 lbs.

Directions for Use

It is a violation of Federal Law to use this product in a manner inconsistent with its labeling. Do not allow children to apply this product. **READ ENTIRE LABEL AND ENCLOSED DIRECTIONS BEFORE EACH USE. CAREFULLY FOLLOW ALL PRECAUTIONARY STATEMENTS AND APPLICABLE USE DIRECTIONS. FOR USE ON DOGS ONLY. DO NOT USE ON RABBITS OR OTHER ANIMALS.**

For topical application only. Apply PETARMOR[®] Plus For Dogs **ONLY** to dogs and puppies aged 8 weeks or older, including on breeding, pregnant, and lactating bitches, as indicated below for control of fleas, flea eggs, ticks (including all stages of American Dog ticks, Brown Dog ticks, Deer ticks and Lone Star ticks), and chewing lice:

How to Apply

1. Open the child resistant package according to the directions on the back of the sealed inner package for each pipette.



- 2. Snap the tip of the pipette away from you as shown.
- 3. Part the dog's hair and place the tip of the pipette behind the neck and between the shoulders. Ensure that the entire application of PETARMOR[®] Plus For Dogs is contained in a single spot on the dog's skin. Be sure to squeeze the pipette thoroughly so that the entire contents are applied.

Available Exclusively from FidoPharm, Inc. 777 Township Line Road, Suite 170 Yardley, PA 19067-5508 USA
Questions? Comments? ©2012 FidoPharm, Inc. All rights reserved. 1-888-908-TICK

EPA Reg. No. 85495-2 EPA Est. No. 074720-DEU-001 Patent Pending Made in Germany

118

Schn

Schn

Schn

Schn

Rill=13.00/Schn=13.00

Lackfrei
Wellenperf. 3:3

Feld Pharmacode
mittig 40mm

Lackfrei
Wellenperf. 3:3

17,5

PETARMOR[®] PLUS
FOR DOGS

3 PIPETTES

3 PIPETTES

PETARMOR[®]
PLUS FOR DOGS

**KILLS FLEAS, FLEA EGGS, TICKS,
& CHEWING LICE**

- Fast action • Kills ticks, including ticks that may transmit Lyme Disease
- Waterproof • Lasting Control



L only use on dogs
45-88 lbs.

**COMPARE TO
FRONTLINE[®]
PLUS**
same active
ingredients*

ACTIVE INGREDIENTS

Fipronil9.8%
(S)-methoprene8.8%
OTHER INGREDIENTS81.4%
TOTAL100.0%

**KEEP OUT OF
REACH OF CHILDREN
CAUTION**

*This product is **NOT** manufactured or distributed by Merial, the makers of Frontline[®] Plus

Contains 3-0.091 fl. oz. (2.68 mL) pipettes

L only use on dogs
45-88 lbs.

L only use on dogs
45-88 lbs.

Lot No:

Druck und
Lackfrei
30

XXX-XXXX 3 PIPETTES

FOR DOG USE ONLY

Rill=13.00/Schn=13.00

Kontur 150x150



Only for use on dogs and puppies 8 weeks or older

PETARMOR® Plus For Dogs is a topical application for fast action and lasting control of fleas, flea eggs, ticks, and chewing lice.

Active Ingredients

Fipronil.....	9.8%
(S)-methoprene	8.8%
OTHER INGREDIENTS.....	81.4%
TOTAL	100.0%

Compare to Frontline® Plus same active ingredients*

KEEP OUT OF REACH OF CHILDREN

CAUTION

PETARMOR® Plus For Dogs acts fast and is an effective, lasting, waterproof, and easy-to-use application for control of fleas, flea eggs, ticks, and chewing lice on dogs and puppies. When used as directed, PETARMOR® Plus For Dogs can stop infestations of fleas, ticks, and chewing lice and help to prevent reinfestation on dogs and puppies, including on breeding, pregnant and lactating bitches. PETARMOR® Plus For Dogs aids in the control of sarcoptic mange infestations. Apply monthly to eliminate sarcoptic mange mites.

Specifically, PETARMOR® Plus For Dogs kills, controls and prevents infestations of:

1. Adult fleas, flea eggs, and flea larvae, including fleas which could cause flea allergy dermatitis, and can prevent the further development of fleas at the egg, larvae and pupae stages;
2. Brown Dog tick, the American Dog tick, the Lone Star tick, and the Deer tick (including ticks that may transmit Lyme Disease), at all stages;
3. Chewing lice infestations.

PETARMOR® Plus For Dogs contains the active ingredient fipronil and the insect growth regulator (IGR) (S)-methoprene.

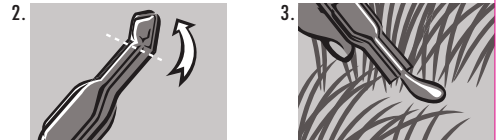
Directions for Use

It is a violation of Federal Law to use this product in a manner inconsistent with its labeling. Do not allow children to apply this product. **READ ENTIRE LABEL AND ENCLOSED DIRECTIONS BEFORE EACH USE. CAREFULLY FOLLOW ALL PRECAUTIONARY STATEMENTS AND APPLICABLE USE DIRECTIONS. FOR USE ON DOGS ONLY. DO NOT USE ON RABBITS OR OTHER ANIMALS.**

For topical application only. Apply PETARMOR® Plus For Dogs ONLY to dogs and puppies aged 8 weeks or older, including on breeding, pregnant, and lactating bitches, as indicated below for control of fleas, flea eggs, ticks, and chewing lice:

How to Apply

1. Open the child resistant package according to the directions on the back of the sealed inner package for each pipette.



2. Snap the tip of the pipette away from you as shown.
3. Part the dog's hair and place the tip of the pipette behind the neck and between the shoulders. Ensure that the entire application of PETARMOR® Plus For Dogs is contained in a single spot on the dog's skin. Be sure to squeeze the pipette thoroughly so that the entire contents are applied.

Do not apply the product superficially to the dog's hair. Use only one pipette during each application.

Do not touch the area where the application was made until it is dry.

PETARMOR® Plus For Dogs also aids in the control of sarcoptic mange infestations. Apply monthly to eliminate sarcoptic mange mites.

Frequency of Application

Fleas: According to research studies, adult fleas, flea eggs and flea larvae are killed for up to three months following an application of fipronil plus (S)-methoprene. If, however, your dog or puppy is susceptible to flea allergy dermatitis, or if you believe there is a risk of reinfestation, apply once every month.

Kontur 150x150

Ticks: Each application kills ticks for one month or longer. For best control of ticks, apply once every month.

Chewing Lice: Each application kills chewing lice for one month or longer. For best control of chewing lice, apply once every month.

Do not reapply PETARMOR® Plus For Dogs for thirty (30) days.

Please note that there is no need to reapply following your dog's exposure to bathing or water immersion, as PETARMOR® Plus For Dogs remains effective in those conditions.

Storage and Disposal

Do not contaminate water, food, or feed by storage or disposal.

Storage. Store unused application pipettes in the original child-resistant container and outer box only, out of reach of children and animals.

Pesticide Disposal. If partly filled: Call your local solid waste agency or 1-800-CLEANUP for disposal instructions. Never place unused product down any indoor or outdoor drain.

Container Disposal. Nonrefillable container. **If empty:** Do not reuse this container. Place in trash or offer for recycling if available.

First Aid

Have the product container or label with you when calling a poison control center or doctor, or if going for treatment.

If Swallowed: Immediately call a poison control center or doctor for treatment advice. Have the person sip a glass of water if able to swallow. Do not induce vomiting unless told to do so by the poison control center or doctor. Do not give anything by mouth to an unconscious person.

If in Eyes: Hold eye open and rinse slowly and gently with water for 15–20 minutes. Remove contact lenses, if present, after the first 5 minutes, then continue rinsing. Call a poison control center or doctor for treatment advice.

If on Skin: Rinse skin with plenty of soap and water. Get medical attention if irritation persists.

Precautionary Statements

Hazards to Humans. Caution.

Harmful if swallowed. Causes eye irritation. Avoid contact with skin, eyes, or clothing. Wash hands thoroughly with soap and water after handling and before eating, drinking, chewing gum, or using tobacco.

Hazards to Domestic Animals.

For external use only. Do not use on puppies under 8 weeks of age. Sensitivities may occur after using ANY pesticide product for pets. While temporary irritation at the application area may occur, if signs of continued sensitivity occur, consult a veterinarian immediately. Should any unusual reactions to the application occur, do not reapply before consulting with a veterinarian. Certain medications can interact with pesticides. Consult with your veterinarian before using this product on medicated, debilitated, or aged dogs. Call 1-888-908-TICK for 24-hour assistance.

Physical or Chemical Hazards

Flammable: Keep away from heat and open flame.

Application Options for Different Sizes of Dogs

PETARMOR® Plus For Dogs comes in four different packages for different-sized dogs and puppies eight (8) weeks or older:

- Up to 22 lbs.
- 23 to 44 lbs.
- 45 to 88 lbs.
- 89 to 132 lbs.

Warranty

To the extent consistent with applicable law, sellers make no warranty, express or implied, concerning the use of this product other than as indicated on the labeling. Buyer assumes all risk of use and handling of the product when such use and handling are contrary to the label instructions.

*This product is not manufactured or distributed by Merial, the makers of Frontline® Plus.

Available Exclusively from FidoPharm, Inc.
777 Township Line Road, Suite 170
Yardley, PA 19067-5508 USA

EPA Reg. No. 85495-2
EPA Est. No. 074720-DEU-001

Patent Pending

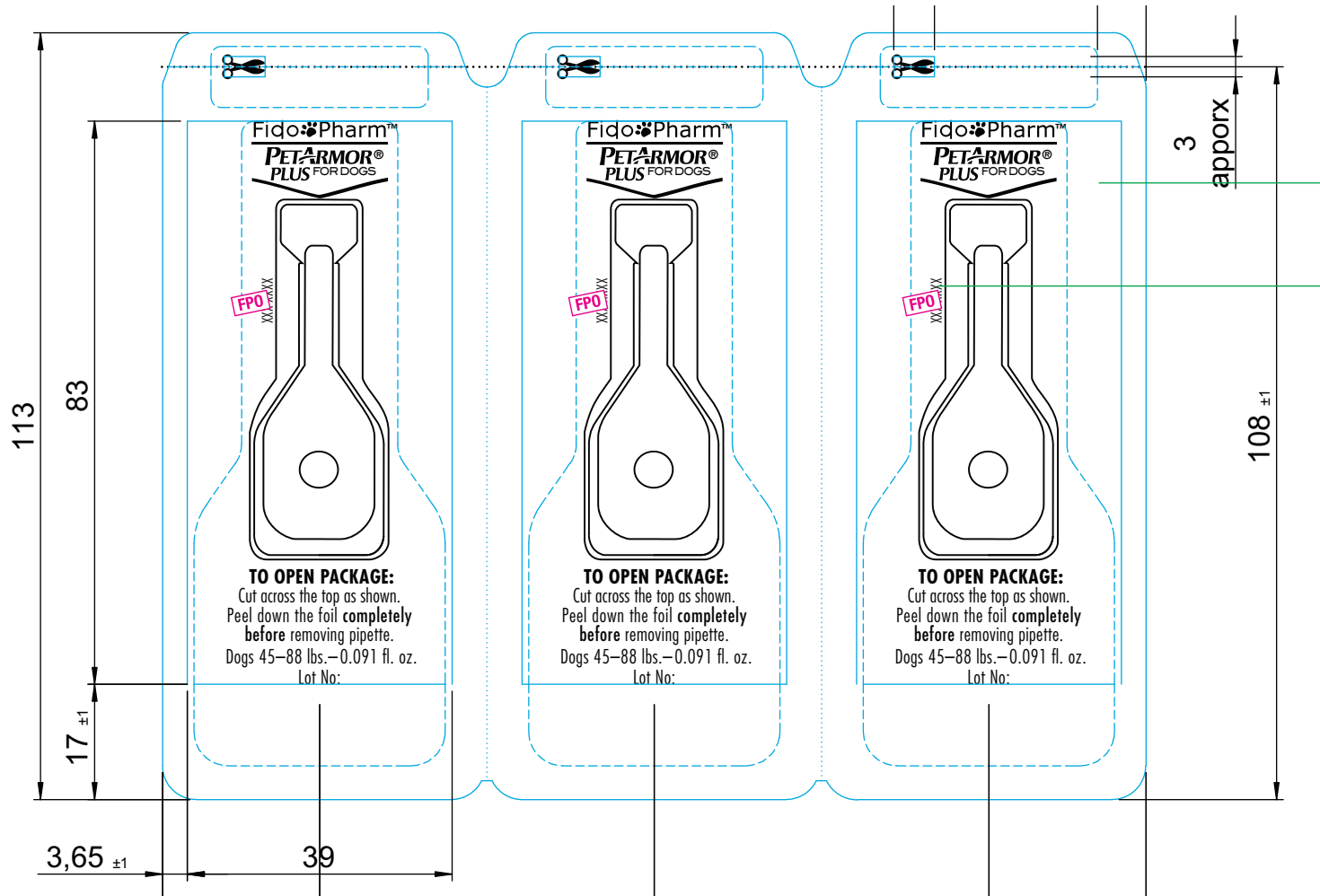
©2012 FidoPharm, Inc.
All rights reserved.

Questions? Comments?
1-888-908-TICK

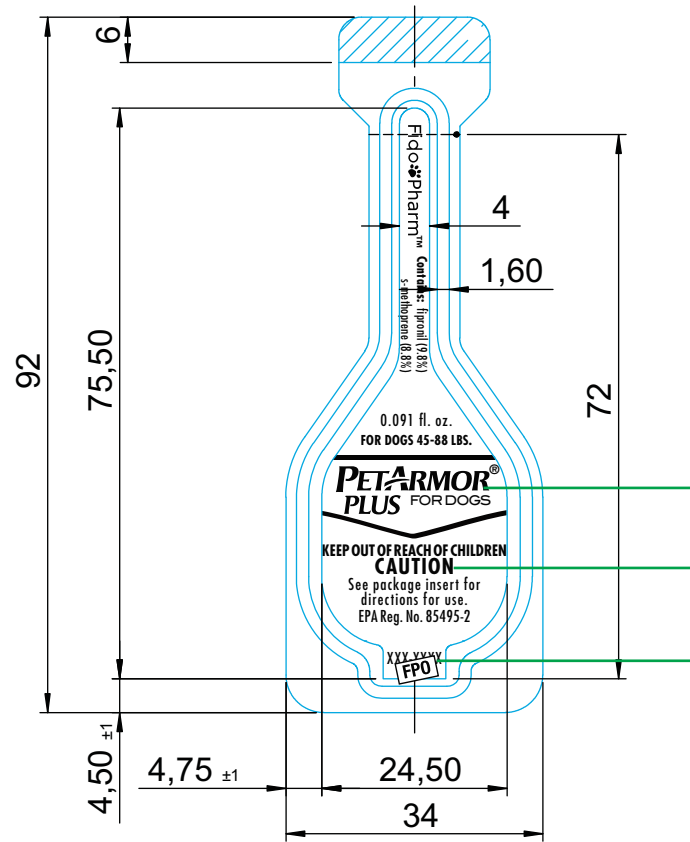
Made in Germany



Child resistant package



Pipette



Care Card

PETARMOR™ Plus FOR DOGS
CARECARD
KILLS FLEAS, TICKS, & CHEWING LICE

Place sticker on your calendar
or refrigerator to remind yourself
to apply PETARMOR™ Plus
For Dogs to your dog.



PET'S NAME:

Month 1
Date of Application:

Month 2
Date of Application:

Month 3
Date of Application:

NM

Remove the adhesive backing and attach to your refrigerator door.

Lackfrei
Wellenperf. 3:3

17.5

Schn

Schn

Schn

Rill=13.00/Schn=13.00

4 Haltestege 0.9mm
(nicht ausbrechen)

12 x Haltestege 1mm

3 PIPETTES

PETARMOR[®]
PLUS FOR DOGS

PETARMOR[®] Plus For Dogs acts fast and is an effective, lasting, waterproof, and easy-to-use application for control of fleas, flea eggs, ticks, and chewing lice **ONLY** on dogs weighing 89–132 lbs.

Directions for Use

It is a violation of Federal Law to use this product in a manner inconsistent with its labeling. Do not allow children to apply this product. **READ ENTIRE LABEL AND ENCLOSED DIRECTIONS BEFORE EACH USE. CAREFULLY FOLLOW ALL PRECAUTIONARY STATEMENTS AND APPLICABLE USE DIRECTIONS. FOR USE ON DOGS ONLY. DO NOT USE ON RABBITS OR OTHER ANIMALS.**

For topical application only. Apply PETARMOR[®] Plus For Dogs **ONLY** to dogs and puppies aged 8 weeks or older, including on breeding, pregnant, and lactating bitches, as indicated below for control of fleas, flea eggs, ticks (including all stages of American Dog ticks, Brown Dog ticks, Deer ticks and Lone Star ticks), and chewing lice:

How to Apply

1. Open the child resistant package according to the directions on the back of the sealed inner package for each pipette.

2.



2. Snap the tip of the pipette away from you as shown.

3.



3. Part the dog's hair and place the tip of the pipette behind the neck and between the shoulders. Ensure that the entire application of PETARMOR[®] Plus For Dogs is contained in a single spot on the dog's skin. Be sure to squeeze the pipette thoroughly so that the entire contents are applied.

Available Exclusively from FidoPharm, Inc.
777 Township Line Road, Suite 170
Yardley, PA 19067-5508 USA

Questions? Comments? ©2012 FidoPharm, Inc.
1-888-908-TICK All rights reserved.

EPA Reg. No. 85495-2
EPA Est. No. 074720-DEU-001
Patent Pending

Made in Germany

118

Rill=13.00/Schn=13.00

Lackfrei
Wellenperf. 3:3

Feld Pharmacode
mittig 40mm

Lackfrei
Wellenperf. 3:3 17.5

PETARMOR[®] PLUS
FOR DOGS

3 PIPETTES

3 PIPETTES

PETARMOR[®]
PLUS FOR DOGS

**KILLS FLEAS, FLEA EGGS, TICKS,
& CHEWING LICE**

- Fast action • Kills ticks, including ticks that may transmit Lyme Disease
- Waterproof • Lasting Control



XL only use on dogs
89-132 lbs.

**COMPARE TO
FRONTLINE[®]
PLUS**
same active
ingredients*

ACTIVE INGREDIENTS

Fipronil	9.8%
(S)-methoprene	8.8%
OTHER INGREDIENTS	81.4%
TOTAL	100.0%

KEEP OUT OF
REACH OF CHILDREN
CAUTION

*This product is **NOT**
manufactured or distributed
by Merial, the makers of
Frontline[®] Plus

Contains 3-0.136 fl. oz. (4.02 mL) pipettes

Lot No:

Druck und
Lackfrei
30

XXX-XXXX 3 PIPETTES

FOR DOG USE ONLY

Rill=13.00/Schn=13.00

XL only use on dogs
89-132 lbs.

only use on dogs
XL 89-132 lbs.

3 PIPETTES
PETARMOR[®]
PLUS
FOR DOGS

3 PIPETTES
PETARMOR[®]
PLUS
FOR DOGS

Kontur 150x150



Only for use on dogs and puppies 8 weeks or older

PETARMOR® Plus For Dogs is a topical application for fast action and lasting control of fleas, flea eggs, ticks, and chewing lice.

Active Ingredients

Fipronil.....	9.8%
(S)-methoprene	8.8%
OTHER INGREDIENTS.....	81.4%
TOTAL	100.0%

Compare to Frontline® Plus same active ingredients*

KEEP OUT OF REACH OF CHILDREN

CAUTION

PETARMOR® Plus For Dogs acts fast and is an effective, lasting, waterproof, and easy-to-use application for control of fleas, flea eggs, ticks, and chewing lice on dogs and puppies. When used as directed, PETARMOR® Plus For Dogs can stop infestations of fleas, ticks, and chewing lice and help to prevent reinfestation on dogs and puppies, including on breeding, pregnant and lactating bitches. PETARMOR® Plus For Dogs aids in the control of sarcoptic mange infestations. Apply monthly to eliminate sarcoptic mange mites.

Specifically, PETARMOR® Plus For Dogs kills, controls and prevents infestations of:

1. Adult fleas, flea eggs, and flea larvae, including fleas which could cause flea allergy dermatitis, and can prevent the further development of fleas at the egg, larvae and pupae stages;
2. Brown Dog tick, the American Dog tick, the Lone Star tick, and the Deer tick (including ticks that may transmit Lyme Disease), at all stages;
3. Chewing lice infestations.

PETARMOR® Plus For Dogs contains the active ingredient fipronil and the insect growth regulator (IGR) (S)-methoprene.

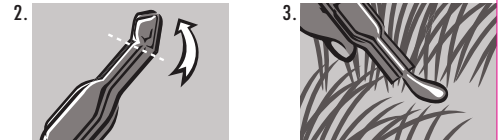
Directions for Use

It is a violation of Federal Law to use this product in a manner inconsistent with its labeling. Do not allow children to apply this product. **READ ENTIRE LABEL AND ENCLOSED DIRECTIONS BEFORE EACH USE. CAREFULLY FOLLOW ALL PRECAUTIONARY STATEMENTS AND APPLICABLE USE DIRECTIONS. FOR USE ON DOGS ONLY. DO NOT USE ON RABBITS OR OTHER ANIMALS.**

For topical application only. Apply PETARMOR® Plus For Dogs ONLY to dogs and puppies aged 8 weeks or older, including on breeding, pregnant, and lactating bitches, as indicated below for control of fleas, flea eggs, ticks, and chewing lice:

How to Apply

1. Open the child resistant package according to the directions on the back of the sealed inner package for each pipette.



2. Snap the tip of the pipette away from you as shown.
3. Part the dog's hair and place the tip of the pipette behind the neck and between the shoulders. Ensure that the entire application of PETARMOR® Plus For Dogs is contained in a single spot on the dog's skin. Be sure to squeeze the pipette thoroughly so that the entire contents are applied.

Do not apply the product superficially to the dog's hair. Use only one pipette during each application.

Do not touch the area where the application was made until it is dry.

PETARMOR® Plus For Dogs also aids in the control of sarcoptic mange infestations. Apply monthly to eliminate sarcoptic mange mites.

Frequency of Application

Fleas: According to research studies, adult fleas, flea eggs and flea larvae are killed for up to three months following an application of fipronil plus (S)-methoprene. If, however, your dog or puppy is susceptible to flea allergy dermatitis, or if you believe there is a risk of reinfestation, apply once every month.

Kontur 150x150

Ticks: Each application kills ticks for one month or longer. For best control of ticks, apply once every month.

Chewing Lice: Each application kills chewing lice for one month or longer. For best control of chewing lice, apply once every month.

Do not reapply PETARMOR® Plus For Dogs for thirty (30) days.

Please note that there is no need to reapply following your dog's exposure to bathing or water immersion, as PETARMOR® Plus For Dogs remains effective in those conditions.

Storage and Disposal

Do not contaminate water, food, or feed by storage or disposal.

Storage. Store unused application pipettes in the original child-resistant container and outer box only, out of reach of children and animals.

Pesticide Disposal. If partly filled: Call your local solid waste agency or 1-800-CLEANUP for disposal instructions. Never place unused product down any indoor or outdoor drain.

Container Disposal. Nonrefillable container. **If empty:** Do not reuse this container. Place in trash or offer for recycling if available.

First Aid

Have the product container or label with you when calling a poison control center or doctor, or if going for treatment.

If Swallowed: Immediately call a poison control center or doctor for treatment advice. Have the person sip a glass of water if able to swallow. Do not induce vomiting unless told to do so by the poison control center or doctor. Do not give anything by mouth to an unconscious person.

If in Eyes: Hold eye open and rinse slowly and gently with water for 15–20 minutes. Remove contact lenses, if present, after the first 5 minutes, then continue rinsing. Call a poison control center or doctor for treatment advice.

If on Skin: Rinse skin with plenty of soap and water. Get medical attention if irritation persists.

Precautionary Statements

Hazards to Humans. Caution.

Harmful if swallowed. Causes eye irritation. Avoid contact with skin, eyes, or clothing. Wash hands thoroughly with soap and water after handling and before eating, drinking, chewing gum, or using tobacco.

Hazards to Domestic Animals.

For external use only. Do not use on puppies under 8 weeks of age. Sensitivities may occur after using ANY pesticide product for pets. While temporary irritation at the application area may occur, if signs of continued sensitivity occur, consult a veterinarian immediately. Should any unusual reactions to the application occur, do not reapply before consulting with a veterinarian. Certain medications can interact with pesticides. Consult with your veterinarian before using this product on medicated, debilitated, or aged dogs. Call 1-888-908-TICK for 24-hour assistance.

Physical or Chemical Hazards

Flammable: Keep away from heat and open flame.

Application Options for Different Sizes of Dogs

PETARMOR® Plus For Dogs comes in four different packages for different-sized dogs and puppies eight (8) weeks or older:

- Up to 22 lbs.
- 23 to 44 lbs.
- 45 to 88 lbs.
- 89 to 132 lbs.

Warranty

To the extent consistent with applicable law, sellers make no warranty, express or implied, concerning the use of this product other than as indicated on the labeling. Buyer assumes all risk of use and handling of the product when such use and handling are contrary to the label instructions.

*This product is not manufactured or distributed by Merial, the makers of Frontline® Plus.

Available Exclusively from FidoPharm, Inc.
777 Township Line Road, Suite 170
Yardley, PA 19067-5508 USA

EPA Reg. No. 85495-2
EPA Est. No. 074720-DEU-001

Patent Pending

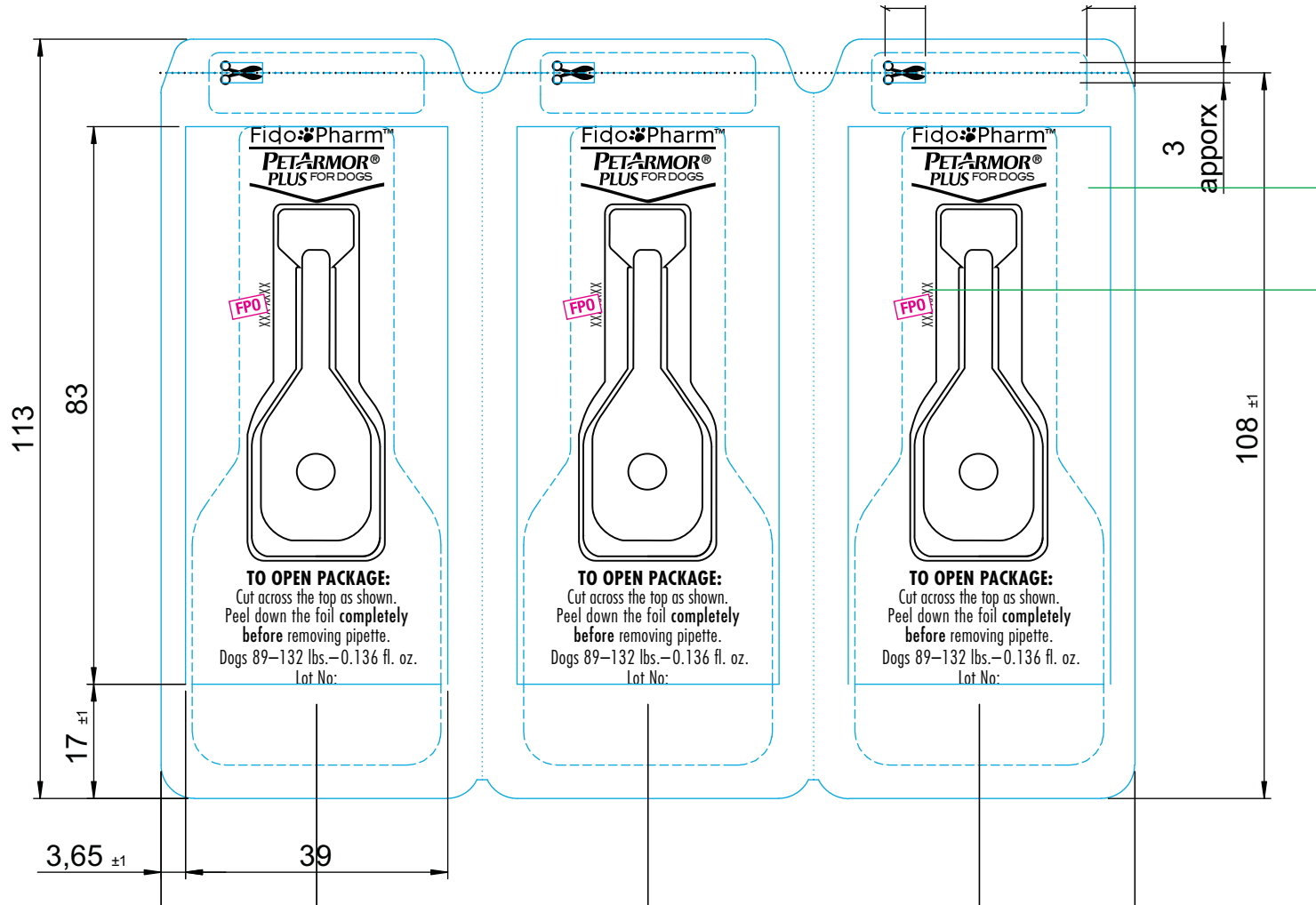
©2012 FidoPharm, Inc.
All rights reserved.

Questions? Comments?
1-888-908-TICK

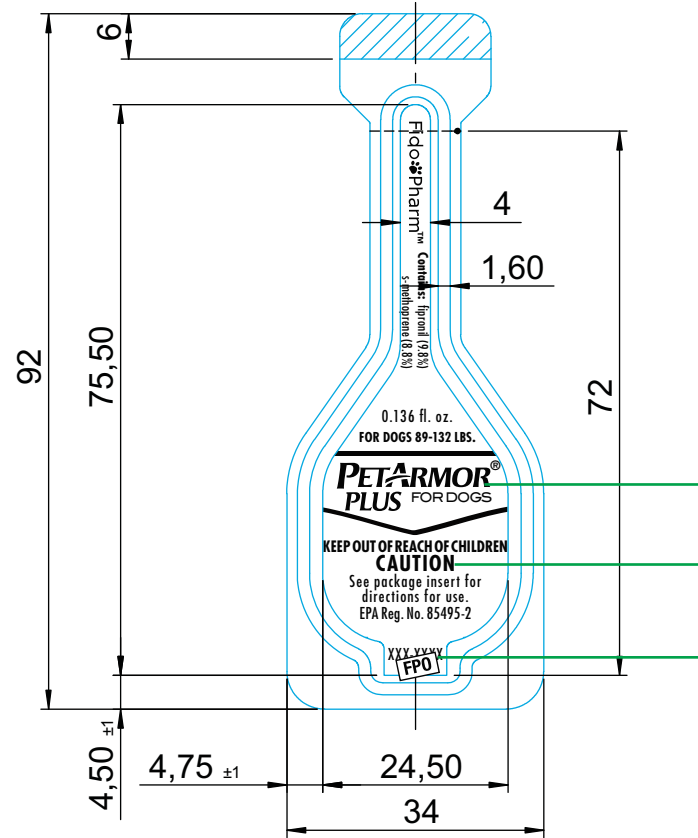
Made in Germany



Child Resistant Packaging



Pipette



Care Card

PETARMOR™ Plus FOR DOGS
CARECARD
KILLS FLEAS, TICKS, & CHEWING LICE

Place sticker on your calendar
or refrigerator to remind yourself
to apply PETARMOR™ Plus
For Dogs to your dog.



PET'S NAME:

Month 1
Date of Application:

Month 2
Date of Application:

Month 3
Date of Application:

NM

Remove the adhesive backing and attach to your refrigerator door.